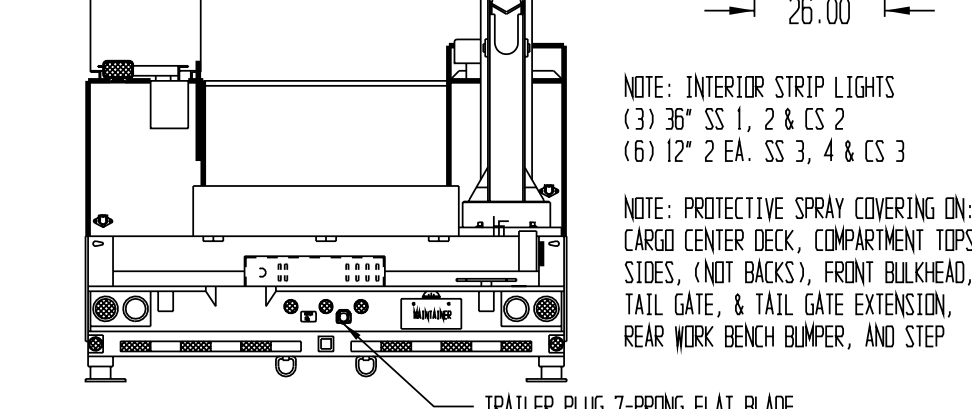
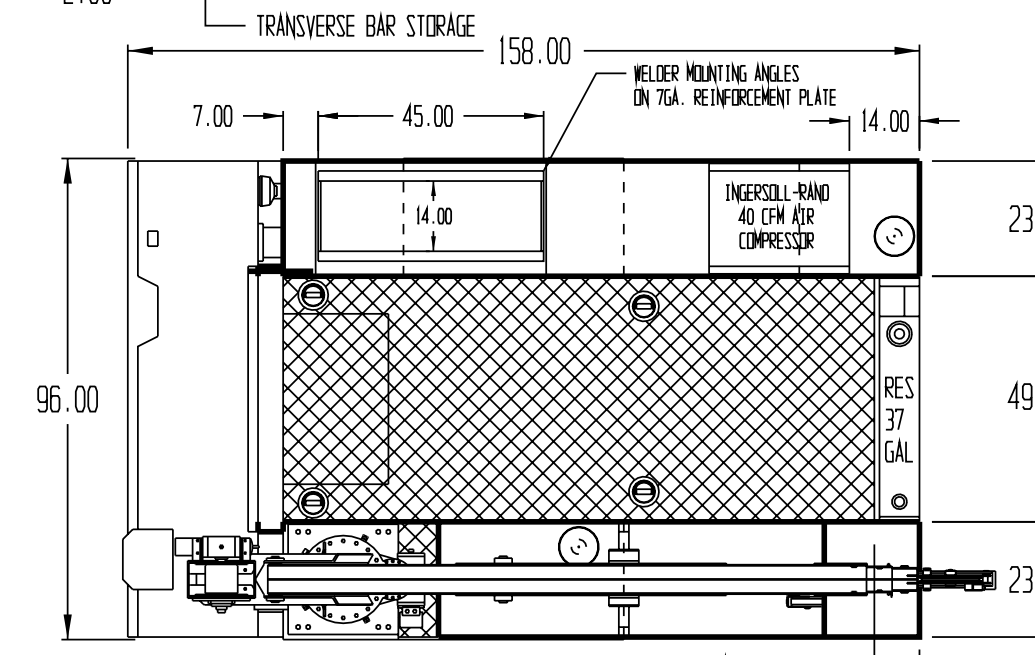
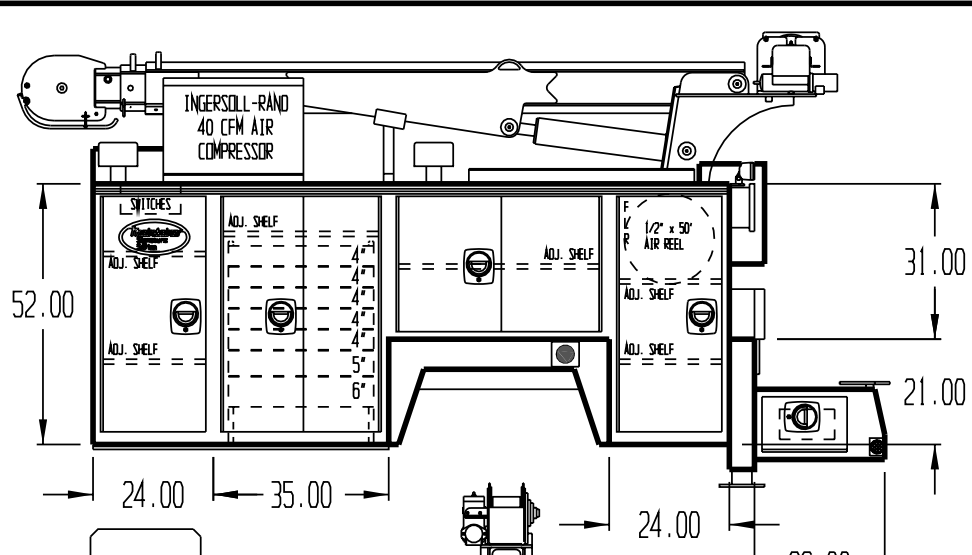
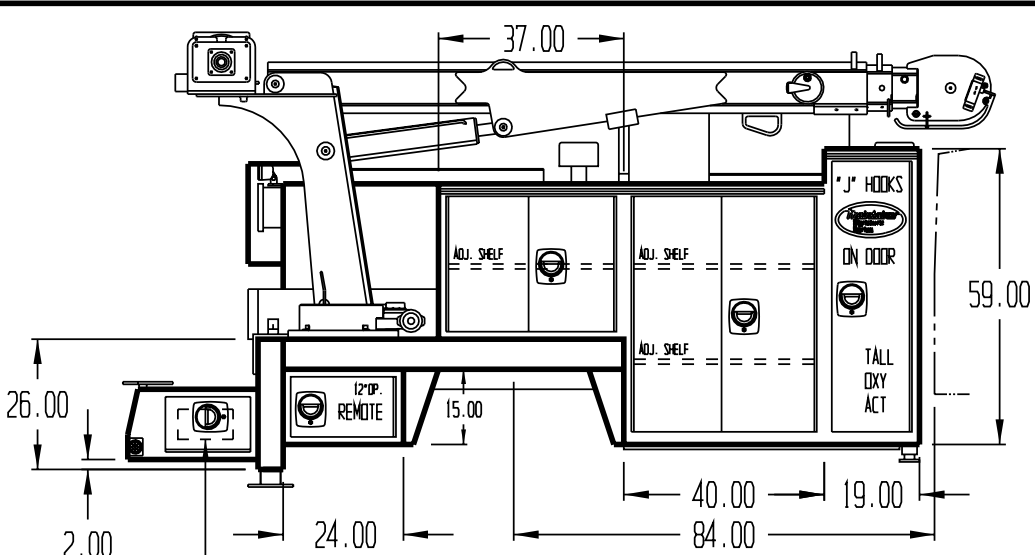


APPROVED BY _____

DATE _____

PAINT CODE _____

Z1 OXFORD WHITE



NOTE: INTERIOR STRIP LIGHTS
 (3) 36" SS 1, 2 & CS 2
 (6) 12" 2 EA. SS 3, 4 & CS 3

NOTE: PROTECTIVE SPRAY COVERING ON:
 CARGO CENTER DECK, COMPARTMENT TOPS,
 SIDES, (NOT BACKS), FRONT BULKHEAD,
 TAIL GATE, & TAIL GATE EXTENSION,
 REAR WORK BENCH BUMPER, AND STEP

NOTE: 20 GALLON AIR STORAGE
 MOUNTED IN CHASSIS FRAME

NOTE:
 USABLE CENTER DECK
 CARGO WIDTH 48.50"

NOTE: 6" SILLS &
 4" X-MEMBERS

PLEASE REPORT ANY ERRORS FOUND ON THIS PRINT

THIS PRINT CONTAINS CONFIDENTIAL INFORMATION AND IS THE SOLE PROPERTY OF MAINTAINER CORP. OF IOWA INC. AND IS NOT TO BE COPIED OR REPRODUCED WITHOUT THE EXPRESSED WRITTEN PERMISSION OF MAINTAINER CORP. OF IOWA INC.		PROPRIETARY DATA PROPERTY OF MAINTAINER CORPORATION OF IOWA, INC.	
LOD DIMENSIONS ARE IN INCHES GENERAL TOLERANCES		COPYRIGHT © 2002	
BREAK ALL EDGES .01 X 45°	ANGULAR ± 1° .XX ± .03 .XXX ± .005	MATERIAL:	Thaintainer Corporation of Iowa, Inc. P.O. Box 349 1701 S. 2nd Avenue Sheldon, Iowa 51201
LOD RADI1	LOD ANGLES	SCALE: 1:26	
MADE IN THE USA		DRAWING NUMBER: Z189-1	DFTM. KJB DATE: 4-15-08
		6000T-1-084	HOUSTON AUTOMOTIVE GROUP